

# HR100

## High Performance Hand-held Barcode Scanner



This general-purpose, high-performance hand-held barcode scanner caters to most 1D barcode scanning needs.

### Product Features

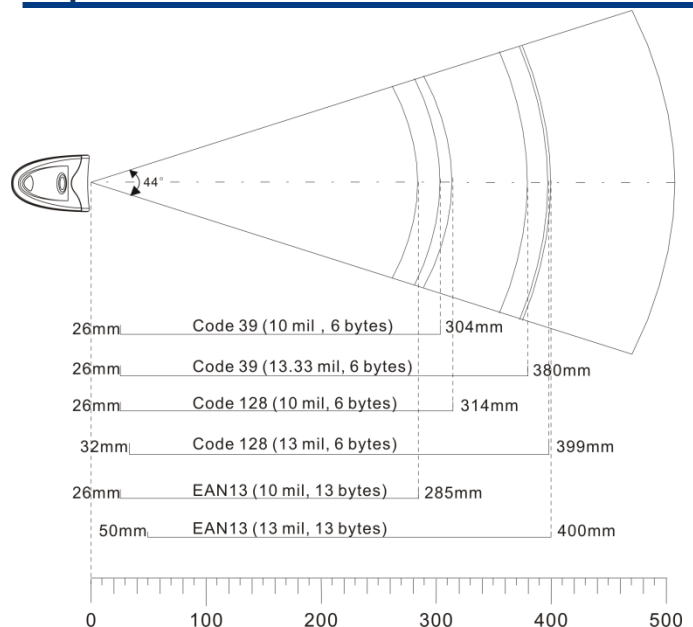
- **Durable and Easy to Operate**

The ergonomic design, superior performance and ease of use make it ideally suited for various applications such as retail, logistics, office automation and many more. With a scan speed of 300 scans per second and a scan distance of more than 30cm, it is a solid (state) alternative to hand-held laser scanning.

- **Cutting-edge Technology**

Its core technology **UIMG<sup>®</sup>** is independently developed by Newland Auto-ID, comprising optical system, digitizer, decoder, image processor and embedded system. The device delivers an unprecedented decoding capability on 1D symbologies. Users can create their own apps with our development tools to identify particular images and symbols.

### Depth of Field



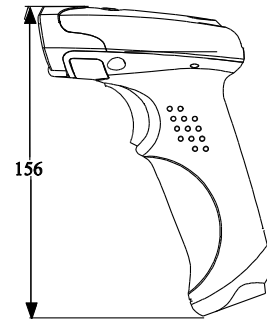
## Specifications

Performance	
Image Sensor	Linear imager
Interface	RS-232, USB, PS/2
Symbologies	Code128, EAN-13, EAN-8, Code 39, UPC-A, UPC-E, Codabar, Interleaved 2 of 5, ISBN, Code 93, UCC/EAN-128, GS1 Databar, etc.
Resolution	≥ 5mil
Light Source	620nm Visible Red LED
Scan Rate	300 scans per second
Illumination	0 ~ 80,000 LUX
Symbol Contrast	≥ 30%
Pitch	±55°@ 0°Roll and 0° Skew
Scan Angle** Roll	±25°@ 0°Pitch and 0° Skew
Skew	±75°@ 0°Roll and 0° Pitch
Mechanical/ Electrical	
Operating Voltage	DC 5.0V
Maximum Current	150mA
Operating Current	120mA
Standby Current	45mA
Colors	Black or white
Weight	105g
Environmental	
Operating Temperature	0°C to 50°C
Storage Temperature	-40°C to 60°C
Humidity	0 to 95% ( non-condensing )
Drop	1.5 m drops to concrete
Certifications	
FCC Part15 Class B, CE EMC Class B	
Accessories	
Stand	The scanner can be mounted on the stand for hands-free scanning.
RS-232 Cable	Equipped with a power connector; used to connect the scanner to a host device.
Flex Cable	
USB Cable	Used to connect the scanner to a host device.
PS/2 Cable	Used to connect the scanner to a host device.
Power Adaptor	Used to provide power for the scanner. Output: DC5V,1.5A; Input: AC100~240V, 50~60Hz.

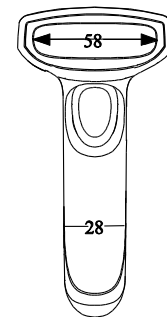
### \*\*Test Condition:

Code 39, 3 Bytes ; Resolution = 10mil; W:N = 2.5:1 ; PCS = 0.8 ; Barcode Height = 40mm;  
Scan Distance = 210mm; T=23°C; Illumination= 200 LUX

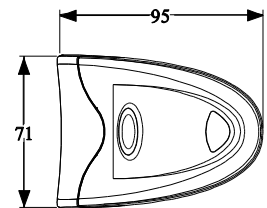
## Dimensions (unit: mm)



Left View



Front View



Top View

## Contact Us

**Newland China**  
+86-400-608-0591  
marketing@nlscan.com

**Newland Europe**  
+31(0)-345-87-0033  
info@newland-id.com

**Newland Taiwan**  
+886-2-7731-5388  
info@newland-id.com.tw

**Newland North America**  
+1-510-490-3888  
info@newlandna.com

