

NLS-HR200 Series

Hand-held 1D/2D Bar Code Scanner



A well-designed hand-held scanner for 1D and 2D barcode scanning, suitable for various bar code scanning needs.

Product Features

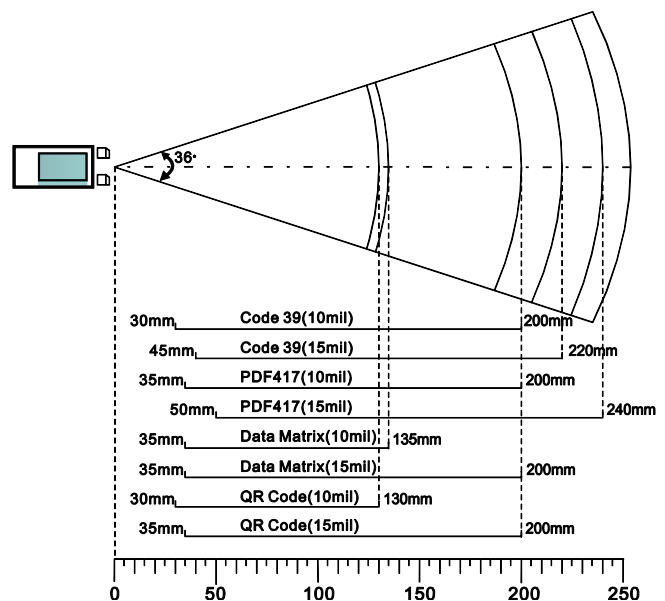
- Durable and Easy to Operate**

This is well-designed, ergonomic and high-performance hand-held CMOS scanner can be used in various applications such as retail, logistics, office automation and many more.

- Advanced Technology**

Includes core-technology **UIMG[®]**, which is independently designed and manufactured by Newland Auto-ID. **UIMG[®]** technology includes the optical, CMOS, CCD, digitizer, decoder, image processing & embedded systems. The scanner supports all global standard 1D barcode symbologies. Its' reading performance reaches and exceeds global standards. By using the accessories provided, the user can ideally set up the scanner to its user environment.

Depth of Field



Specifications

Dimension (Unit: r) V1.0.0

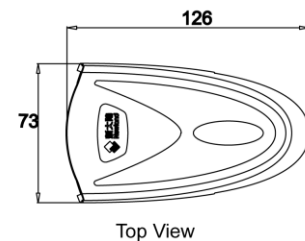
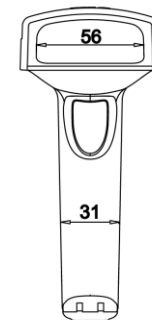
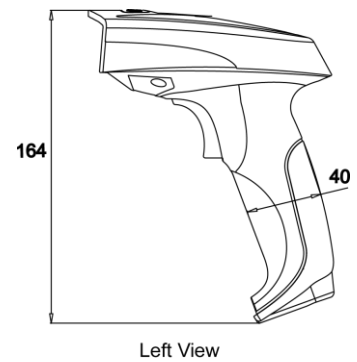
Performance	
Image Sensor	CMOS
resolution	752 * 480
Interface	RS232 / HID-KBW / UDP / USB COM Port Emulation / HID-POS
Symbologies	PDF417, QR Code(Model 1/2), DataMatrix (ECC200, ECC000, 050, 080,100,140), Aztec, Maxicode, etc.
2D	Code128, EAN-13, EAN-8, Code39, UPC-A, UPC-E, Codabar, Interleaved 2 of 5, ISBN, Code 93, GS1 Databar, etc
1D	
Precision	≥ 5mil
Light Source	LED(630 nm ± 10 nm)
Light Intensity	300 LUX (130 mm)
Depth of Scan Field	30 mm ~ 240 mm
Print Contrast Signal	≥ 30%
Sensitivity**	Pitch 360°@ 0°Pitch and 0° Skew Roll ±55°@ 0°Roll and 0° Skew Skew ±60°@ 0°Roll and 0° Pitch
Illumination	0 ~ 100,000 LUX
Mechanical/ Electrical	
Power Consumption	1.65 W
Voltage	DC 5 V
Current	Max 330 mA Working 290 mA Idle 200 mA
Weight	250g
Environment	
Operate Temperature	-5°C - +45°C
Storage Temperature	-40°C - +60°C
Humidity	5% - 95% (non-condensing)
Certifications	
FCC Part15 Class B, CE EMC Class B	
Accessories	
RS232 Cable	This cable connect to the RS232 port of HR200 with a RJ45 port. With a standard female RS232 port to connect to standard male RS232 port.
Flex Cable	With a power port to accept power adapter supply. This cable connect to the USB Slave port of HR200 with a RJ45 port.
USB Cable	With a standard USB Slave port to connect to standard USB Host port.
Bracket	The bracket for HR200, the HR200 could be mounted in the bracket.
Power Adapter	The power adapter for HR200 by the RS232 Cable. Output: DC5V, 1.5A; Input: AC100~240V, 50~60HZ.

**Test Condition:

Code39: 3 Bytes ; Resolution = 10mil; W:N = 3:1 ; PCS = 0.8 ;

Barcode Height = 11mm; Distance = 120mm; T=23°C; Illumination= 200 LUX

Specifications are subject to change without notice.



Contact Us

Newland China
+86-400-608-0591
sales@nlscan.cn

Newland Europe
+31(0)-345-87-0033
info@newland-id.com

Newland Taiwan
+886-2-7731-5388
info@newland-id.com.tw

Newland North America
+1-510-490-3888
info@newlandna.com



Newland