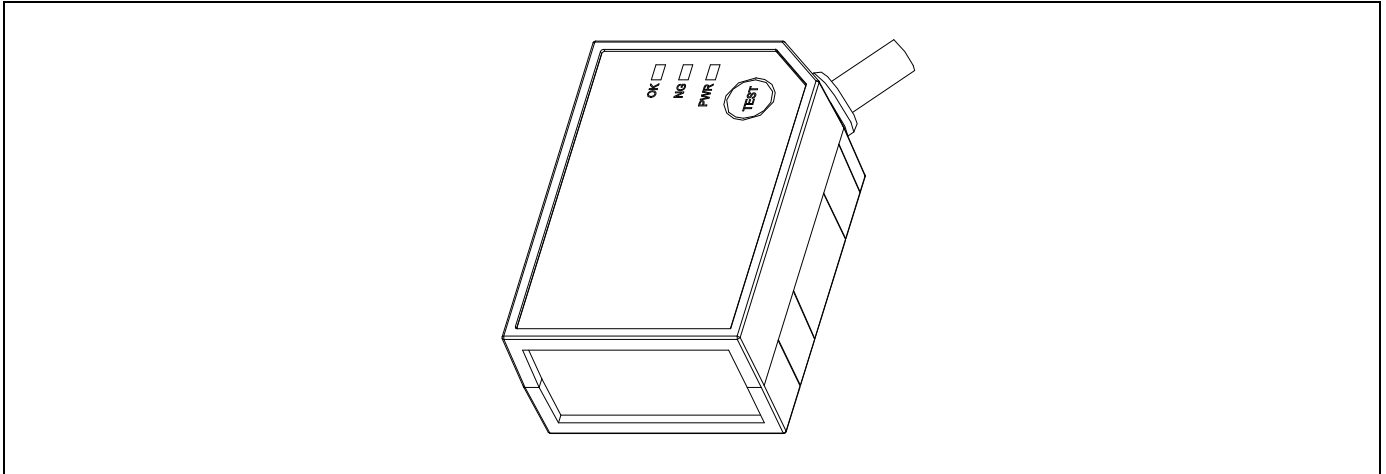


[Buyer's Guide]

Z-5130
Miniature CCD Scan Module

32 Bit
Ultrascan Decoding Technology

Standard Device



BARCODE	MODEL NO.	PART NO.	REMARK
	Z-5130 (F)	88M-3000FK-001	Standard device w/free connection (RJ-45 10P10C) for multi-interface connection
	Z-5130 (R)	88M-3000RP-001	Standard device w/RS-232 cable
	Z-5130 (U)	88M-3000UB-001	Standard device w/USB cable
	Z-5130(UR)	88M-3000UR-001	Standard device w/USB virtual COM interface

Standard Cable Options

- The standard cable is black, straight, and 2 meters (6.5 feet) in length.
- The standard cable options include RS-45 10P10C, RS-232, USB, and etc.
- Special Order Requirement:
 ZEBEX is capable of supplying special customized cable, given that customers provide detailed pin configurations. The minimum order quantity of a special cable is 250 pcs.

1. Free interface – RJ-45 10P10C for multi-interface connection

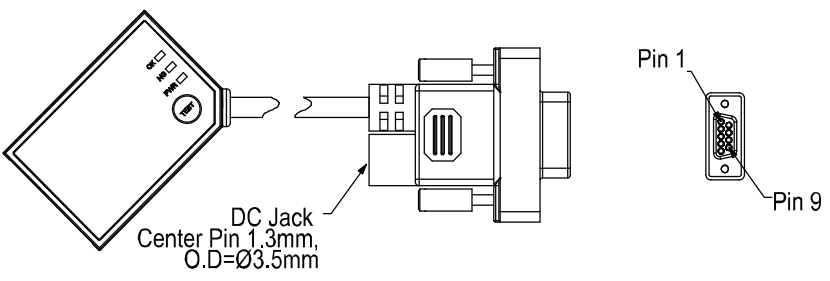
	PIN-OUT CONFIGURATION			
	PIN	FUNCTION	PIN	FUNCTION
1	RTS_EIA	6	RX_EIA	
2	USB_D+	7	Trigger_In	
3	USB_D-	8	+5V Input	
4	GND	9	N.C.	
5	CTS_EIA	10	TX_EIA	

Note: Cable length 1M

Cable Part Number: 170-15M000-100

[Buyer's Guide]

2. RS-232 interface – Power adapter required if host can not provide sufficient power




DC Jack
Center Pin 1.3mm,
O.D=Ø3.5mm

Pin 1

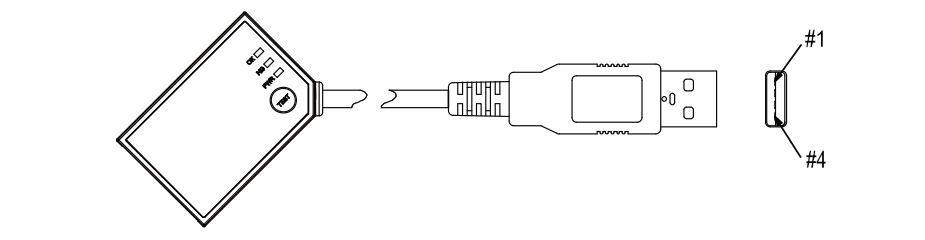
Pin 9

PIN-OUT CONFIGURATION			
PIN	FUNCTION	PIN	FUNCTION
1	N.C.	6	N.C.
2	TX_EIA	7	CTS_EIA
3	RX_EIA	8	RTS_EIA
4	N.C.	9	+5V Input
5	GND		
Inner of DC-Jack: +5V DC			
Outer of DC-Jack: GND			

Cable Part Number: 170-15R542-200



3. USB /USB virtual COM / OPOS USB interface




#1

#4

PIN	FUNCTION
1	VBUC
2	D-
3	D+
4	VSS

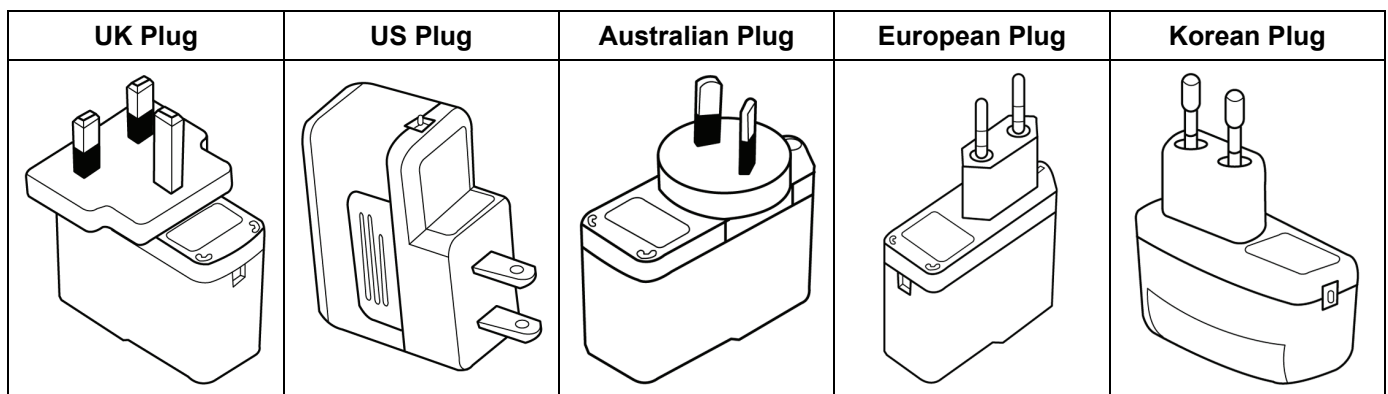
Cable Part Number: 170-15U302-200



* Additional software or special firmware may be required for activating virtual COM and OPOS USB interface.

Power Adapter

Z-5130 requires a minimum of 120mA at 5 VDC power and consumes power from the host machine. If the host can not supply sufficient power, ZEBEX provides adapters of the following plug types:



* The figures are for reference only. The adaptor form factor is subject to change without prior notice.