

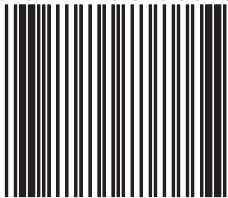
Enter/Exit Programming Mode

Scan this barcode to enter the set-up and exit after set-up finished.



Display firmware version

Reading of the "Display Firmware Version" will show the current firmware version on host.



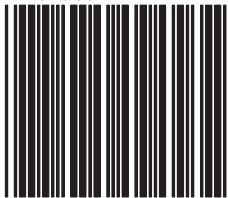
Return to PC/AT default

This barcode allows setting in keyboard wedge interface for IBM PC AT/PS/2 and compatibles.



Return to RS-232 default

The RS-232C interface scanner is often used when connecting to the serial port of a PC or terminal, reading the barcode to set the scanner into RS-232 interface.



Return to USB default

Reading of "Return to USB default" sets the device into USB interface support.



** For more set-up selections, please refer to Programming Guide in the CD-ROM in the package.**

Important Notice

No warranty of any kind is made in regard to this material, including, but not limited to, implied warranties of merchantability or fitness for a particular purpose. We are not liable for any errors contained herein or incidental or consequential damages in connection with furnishing, performance or use of this material.

Copyright © 2009. All rights reserved.

Laser Safety

The laser scanner complies with safety standard IEC 60825-1 for a Class I laser produce. It also complies with CDRH as applicable to a Class IIa laser product. Avoid long term staring into direct laser light.

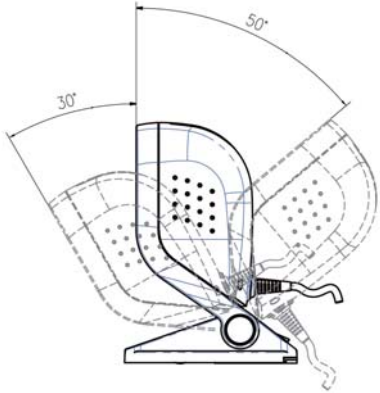
CAUTION: Use of controls or adjustments or performance of procedures other than those specified herein may result in hazardous radiation exposure.



Quick Guide

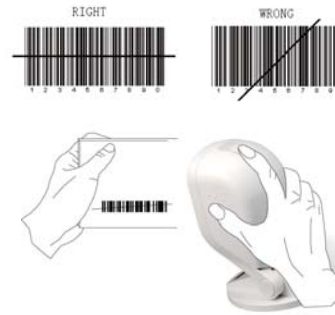
The device has a hinge shaft that allows tilt forwards and backwards in certain angle. Gently holds the device with one hand and move the scan angle as needed.

Note: Do not let the scan beam facing directly to human eyes.



The scanner can emit a single line pattern for users to handheld scanning of hard-to-read or multiple barcodes on one object.

1. Press down the trigger button and a line pattern would appear. It allows you to aim at the barcode. Ensure the scan line crosses every bar and space of the symbol.
2. Press the button to decode the barcode. One beep indicates a good read.



This device supports:

- (a) Keyboard wedge
- (b) RS-232 interface
- (c) HID USB interface

Use the correct interface cable and insert the RJ-45 connector side of cable into the device. A clear "click" sound is heard if the cable is properly inserted.

To loose the cable, gently face down the device, and use a flat tool insert at Point 1 then gently pull out the cable at the direction indicated at Point 2.



Install by using the suction cup



Note:

- a. The mylar is 145mm in diameter self-adhesive for easy attachment, when stick it onto surface, be careful and prevent bubble enters inside.
- b. The suction cup uses the vacuum theory to hold on to the surface. If the surface is not smooth or cupula is damaged or dirty, air could go into the suction cup and the cupula will lost its function.

The device is designed with a cupulate stand, and easily sucks to any smooth surface without making any damage. It is most suggested to place on glass surface for best and firmest suction result, or use the transparent self adhesive mylar provided in package if your counter top is not 100% smooth.

To install the device, you need to:

1. Clean the counter top and make sure the surface is smooth and dry.
2. Adhesive the mylar on top of the counter (ignore this step if the counter top is made with glass or very smooth).



3. Attached the cupula in position, and press down the device to squeeze out the air in the suction cup.
4. Press down the lever to secure device on the surface. (shown as No.(1))
5. Raise the lever to release the suction cup from the surface. (shown as No. (2))

Install by using Mounting Screw

The device is reserved with 3 mounting holes for permanent fixture if required. Refer to the figure below for detailed information.

